

Horizon

DIGITAL FINISHING

HOF-400

The perfect feeding solution
for Digital booklet production.



FLEXIBLE SYSTEM CONFIGURATION

HOF-400 provides flexible system configurations such as cover feeding, sheet insert on, variable page count, bleed trimming and creasing for digital printing.

The HOF-400 finishing system can also be connected with the finishing devices for the offset outputs to process both digital and offset print. Through one efficient system.

BENEFIT

FINISHING DEVICE FOR DIGITAL PRINT

Digitally printed sheets are fed reliably and with care from the HOF-400 to the saddle-stitching system. A standard mark sensor enables variable sheet count documents to be handled with integrity and verification.

FINISHING DEVICE FOR OFFSET PRINT

A VAC series collator can be connected in line, for processing of conventional offset printed work.

HIGH SPEED

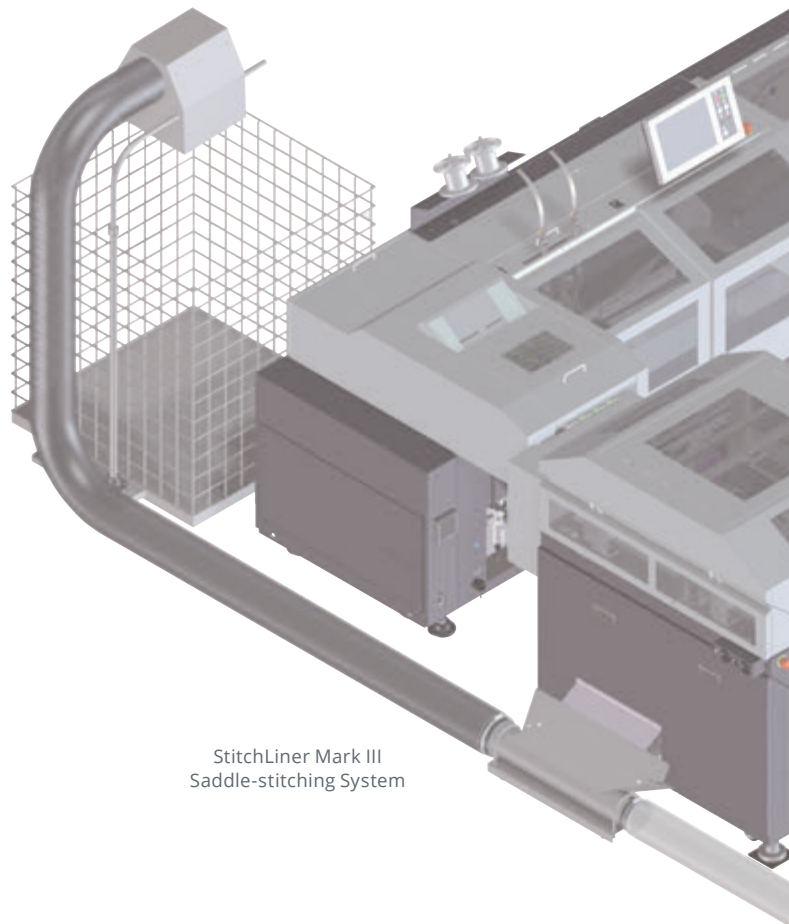
The HOF-400 can feed at a speed of 25,000 sheets per hour (A3 / 11" x 17") and 35,000 sheets per hour (A4 SEF/ 8.5" x 11"). This high speed feeding is capable of handling the output of multiple printers.

VARIOUS MODULAR OPTIONS

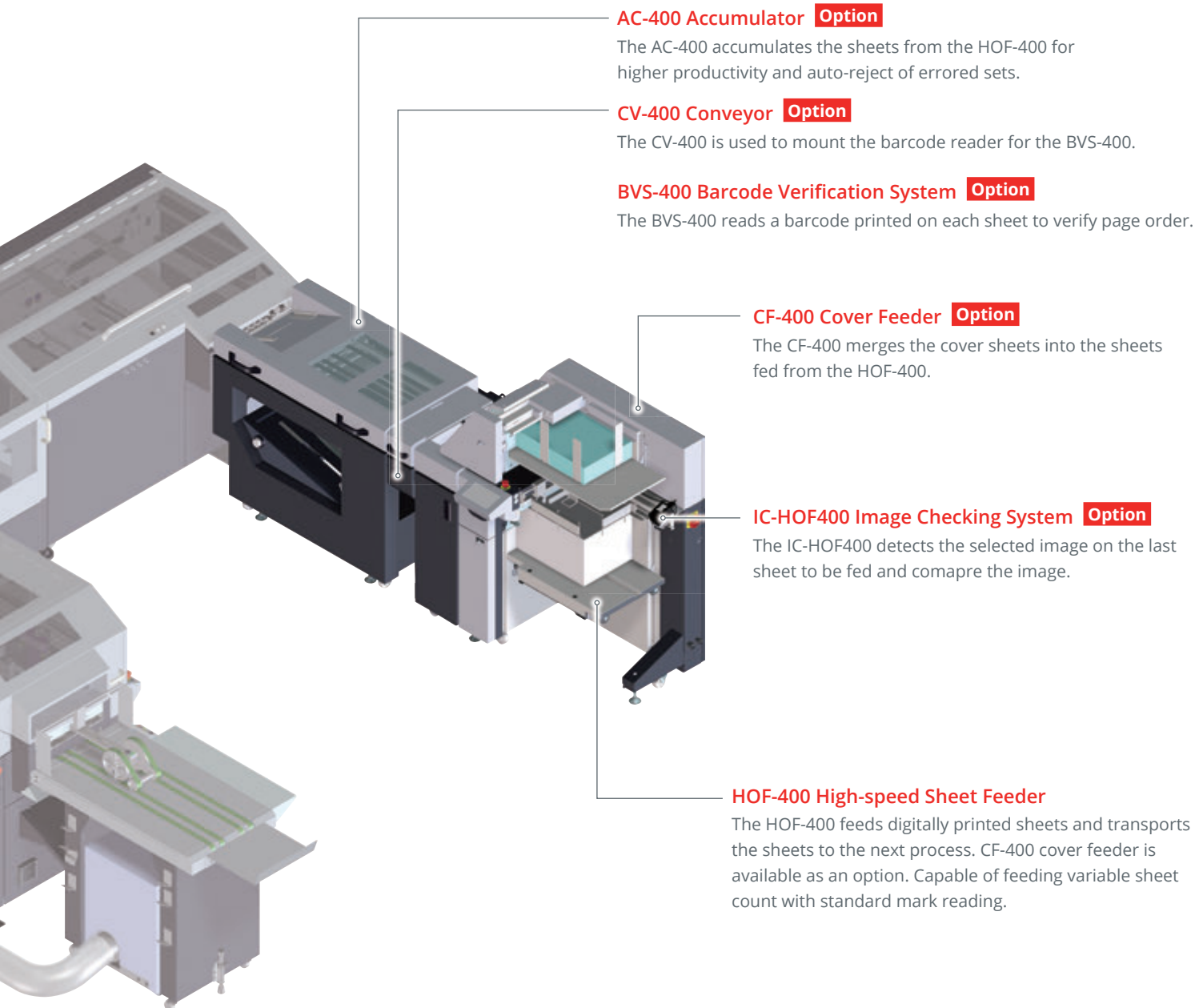
The HOF-400 is compatible with a wide variety of system configurations such as sheet feeding, cover feeding, accumulating, bleed trimming and center creasing depending on your needs.

FLEXIBLE BOOKLET MAKING SYSTEM SELECTION

The HOF-400 can be connected to the SPF-200A, SPF-200L, SPF-20A, SPF-20, StitchLiner 5500 or StitchLiner Mark III.



StitchLiner Mark III
Saddle-stitching System



AC-400 Accumulator Option

The AC-400 accumulates the sheets from the HOF-400 for higher productivity and auto-reject of errored sets.

CV-400 Conveyor Option

The CV-400 is used to mount the barcode reader for the BVS-400.

BVS-400 Barcode Verification System Option

The BVS-400 reads a barcode printed on each sheet to verify page order.

CF-400 Cover Feeder Option

The CF-400 merges the cover sheets into the sheets fed from the HOF-400.

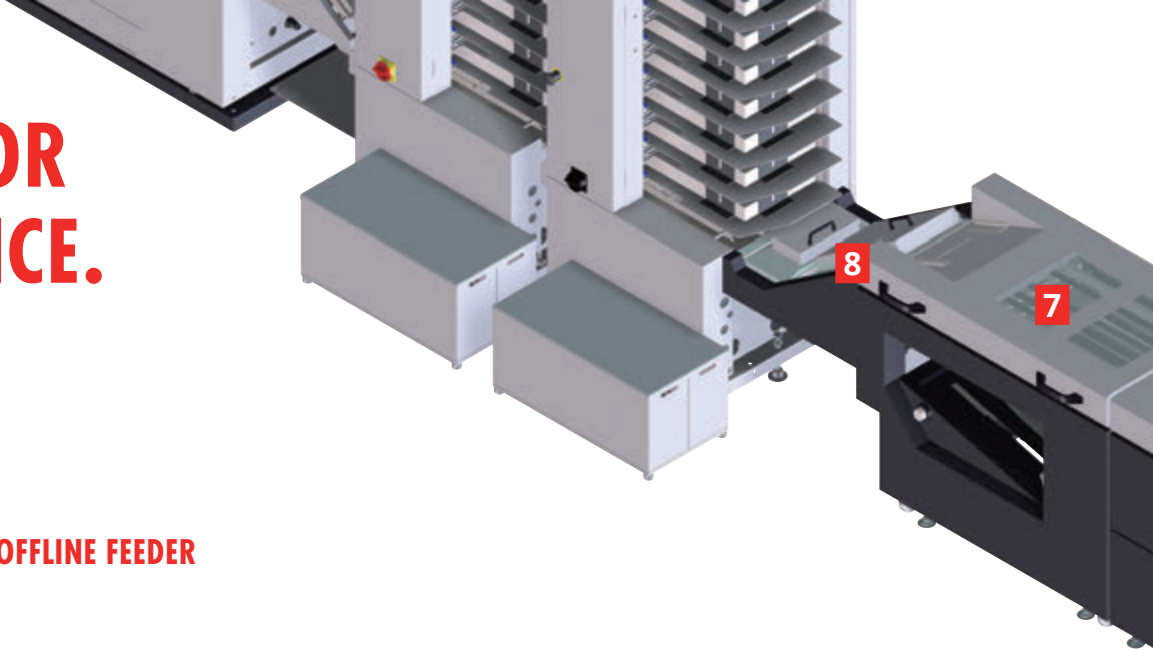
IC-HOF400 Image Checking System Option

The IC-HOF400 detects the selected image on the last sheet to be fed and compare the image.

HOF-400 High-speed Sheet Feeder

The HOF-400 feeds digitally printed sheets and transports the sheets to the next process. CF-400 cover feeder is available as an option. Capable of feeding variable sheet count with standard mark reading.

DETAILS FOR EACH DEVICE.



1 HOF-400 HIGH SPEED OFFLINE FEEDER

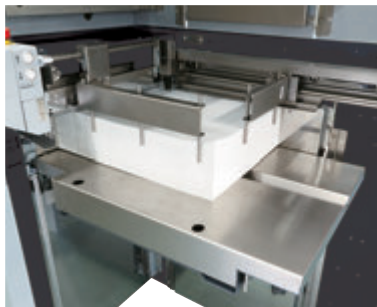
CONTROL PANEL

- Both setup and control can be done through the intuitive touch screen. If a problem occurs, an icon and an error code which indicate the error status will be displayed on the touch panel for quick error recovery.
- 200 jobs can be stored in memory, and the job can be set up quickly. A USB thumb drive is available for importing and exporting the data from memory.



SHEET FEED SECTION

- The vacuum belt feeding system provides smooth and accurate feeding.
- The maximum pile height of the sheet feed tray is 620 mm or 24.4", this high capacity feed tray minimizes loading time for efficient production. Open access to the feeding area enables easy loading of sheets.
- The mark sensor checks the marks on the first and last sheets for extra security. The standard mark sensor enables you to handle variable sheet count documents with integrity and verification.
- The HOF-400 is equipped with a high quality feed detection system for reliable processing. If a mis-feeding occurs in the HOF-400, the system stops before stitching.



Ultrasonic Sensor

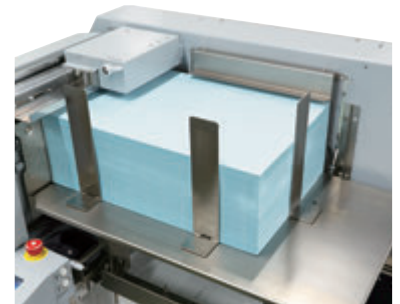
The ultrasonic sensor detects mis-feeds, double-feeds, and sheet jams. The ultrasonic sensor also has the capability to handle variable data applications and variable thickness applications.

Mark Sensor

The mark sensor checks first and last sheets. The mark sensor is capable of reading from the top or the bottom and the detection position can be adjusted easily.

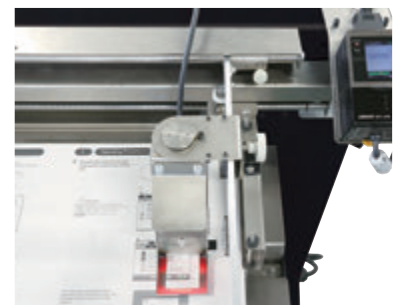
2 CF-400 COVER FEEDER

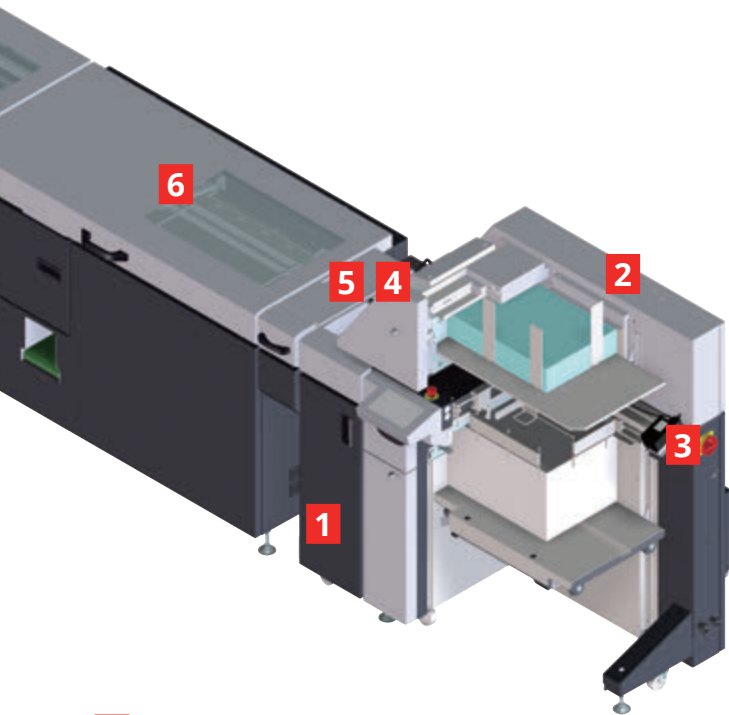
- The CF-400 merges the cover sheets into the sheets fed from the HOF-400.
- The maximum pile height is 200 mm or 7.8".
- The feeding type can be selected from four choices; "Inserting above the sheets fed from the HOF-400 to cover feeding", "bottom cover feeding", "Inserting" or "sheet feeding only from the CF-400".
- Ultrasonic sensor is used for reliable sheet detection.
- When the StitchLiner5500 is connected, the CF-400 can feed six-page covers.



3 IC-HOF400 IMAGE CHECKING SYSTEM

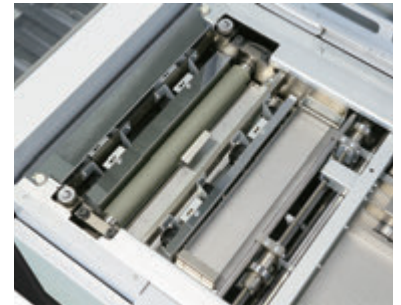
- Detect the selected image on the last sheet to be fed and compare the image.
- This is an ideal detection system for static count jobs or variable applications with the same top sheet image.





6 CR-400 BLEED CREASE MODULE

- CR-400's impact creaser avoids cracking on digitally-printed applications and also produces crisp tight folded booklets.
- Bleed trims top and tail edge for finished three side trimmed booklets.



7 AC-400 ACCUMULATOR

- The AC-400 accumulates the sheets and transport them to the bookletmaking system.
- Sheets are regularly overlapped Horizon's unique accumulation mechanism. This enables high speed and reliable production.
- Test sheets and errored sheets are delivered to the reject tray.
- Manual feed table is provided.



4 BVS-400 BARCODE VERIFICATION SYSTEM

- The BVS-400 reads a barcode printed on a sheet to verify page order. The conveyor CV-400 (for barcode reader mounting) and the PC (for verification) are required.



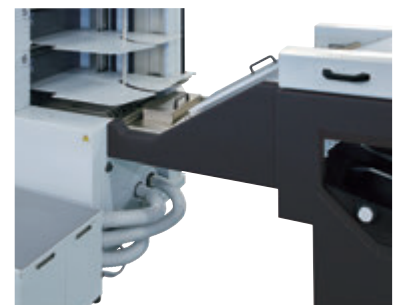
5 CV-400 CONVEYOR

- This conveyor is used to mount a barcode reader for the BVS-400.
 - By-pass conveyor when AC-400 is not connected.
- *Production is slower when AC-400 is not used.
- *AC-400 is always required when the StitchLiner is connected.



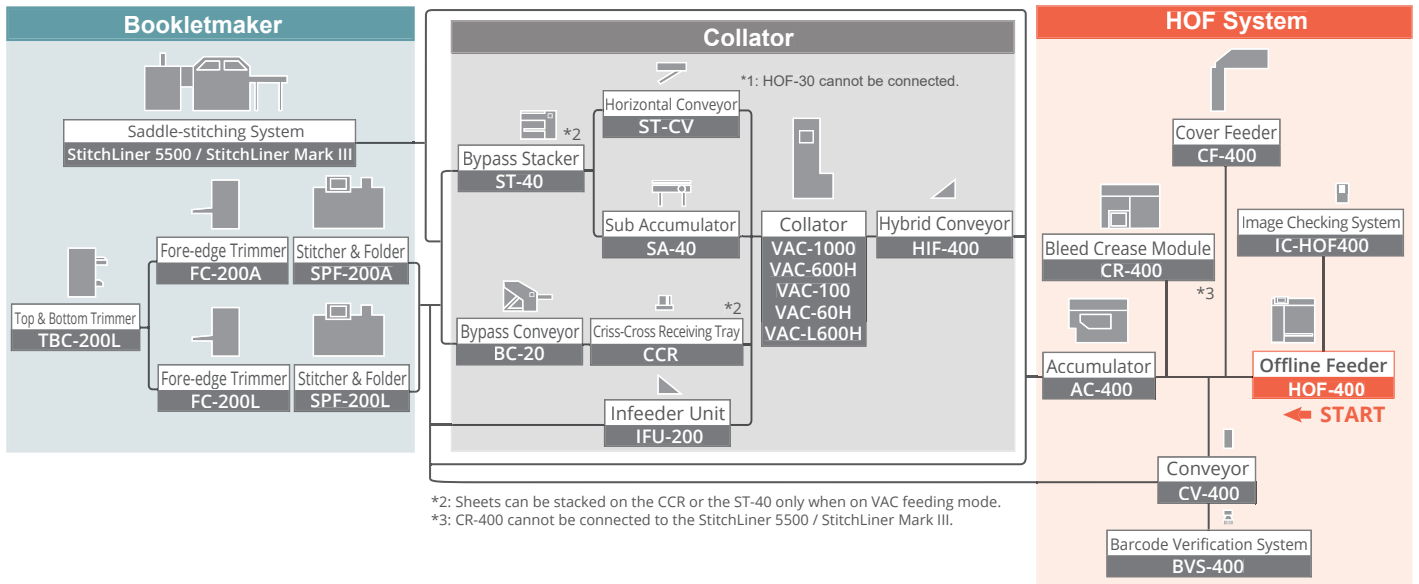
8 HIF-400 HYBRID CONVEYOR

- The HIF-400 is the conveyor which connects the HOF-400 and the collator.
 - The HOF-400 can be used to process, pre-collated digital print while the VAC towers can be used for processing offset work.
 - When the SPF-200A/SPF-200L or StitchLiner 5500 / StitchLiner Mark III is used, digital print from the HOF-400 can be merged with the offset print fed from the collator.
- *When the StitchLiner 5500 / StitchLiner Mark III is connected, merging sheets from the VAC and HOF is not possible.

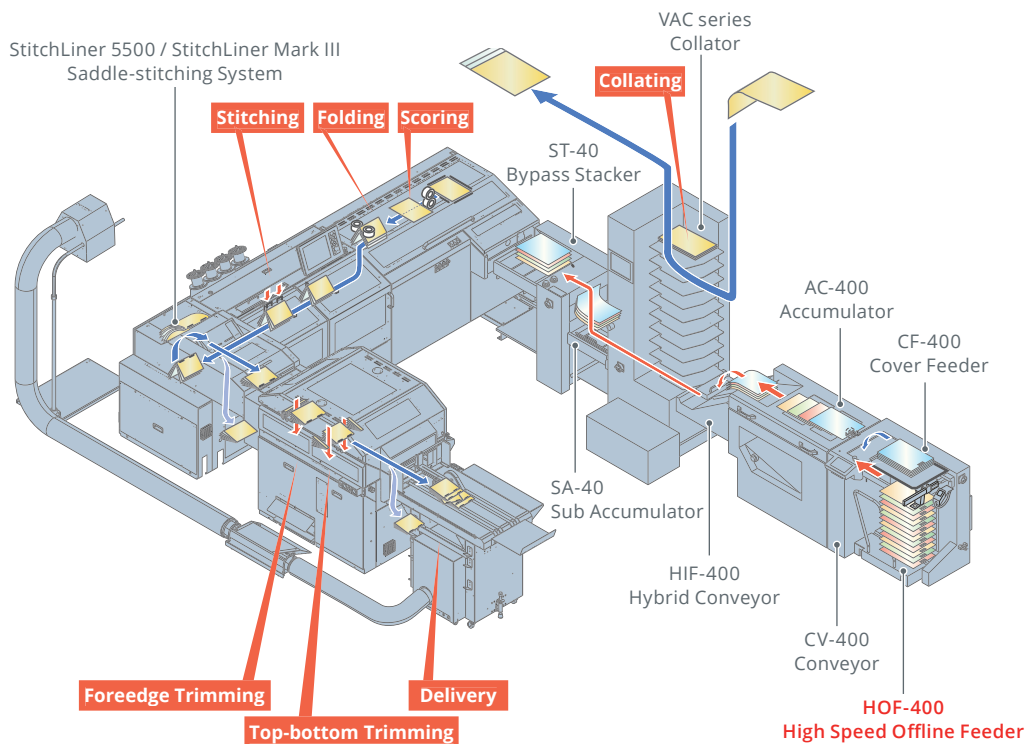


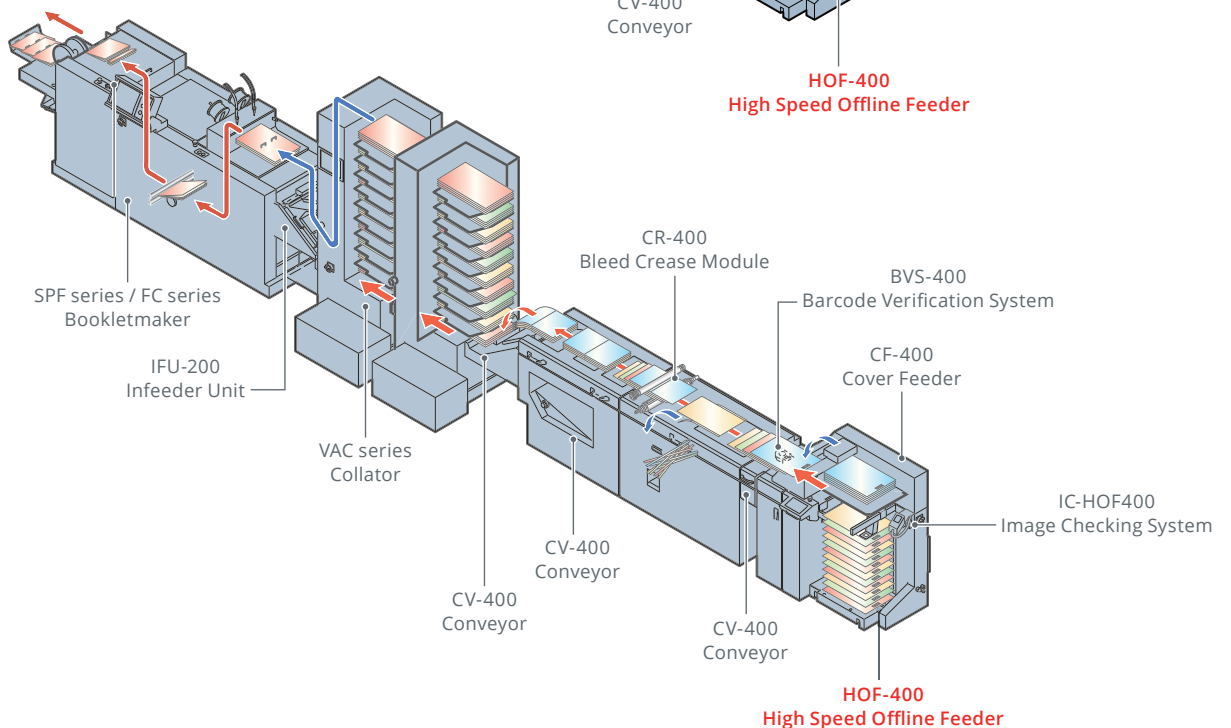
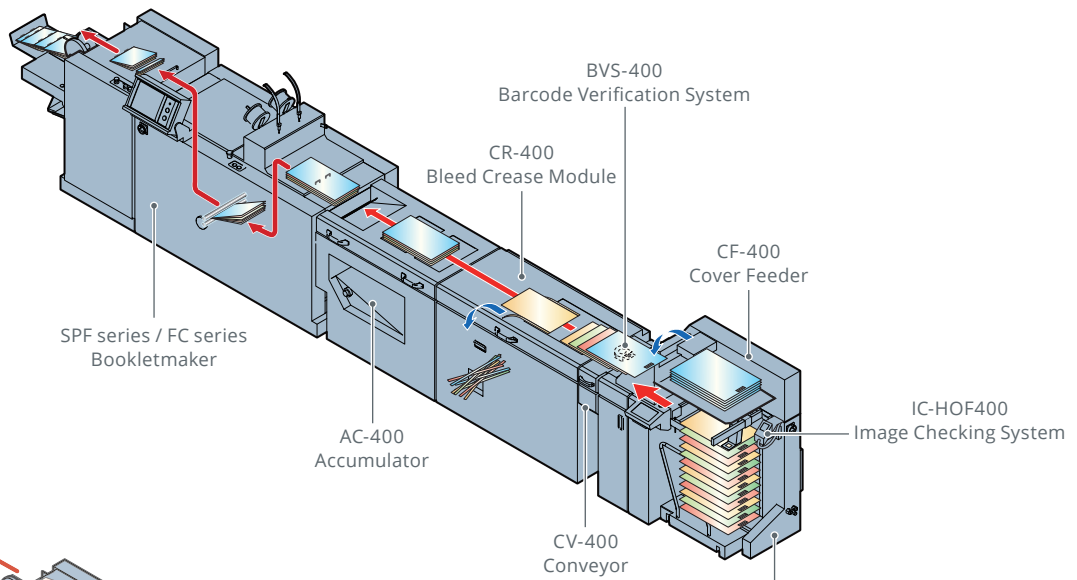
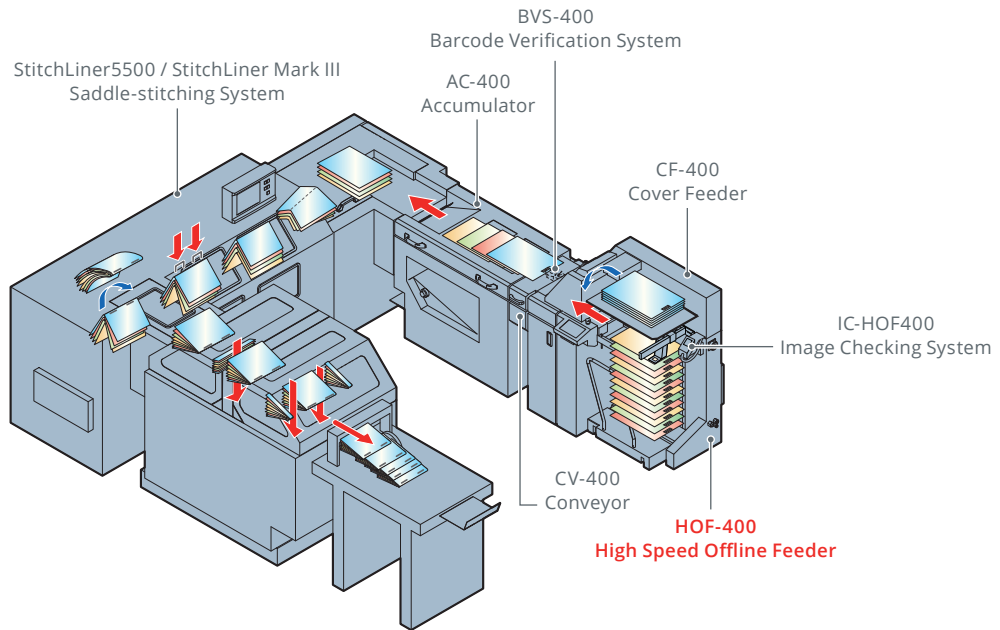
SYSTEM CONFIGURATION

The following flow chart shows the available combination of models.
Start from **Offline Feeder HOF-400** and choose the models you need.



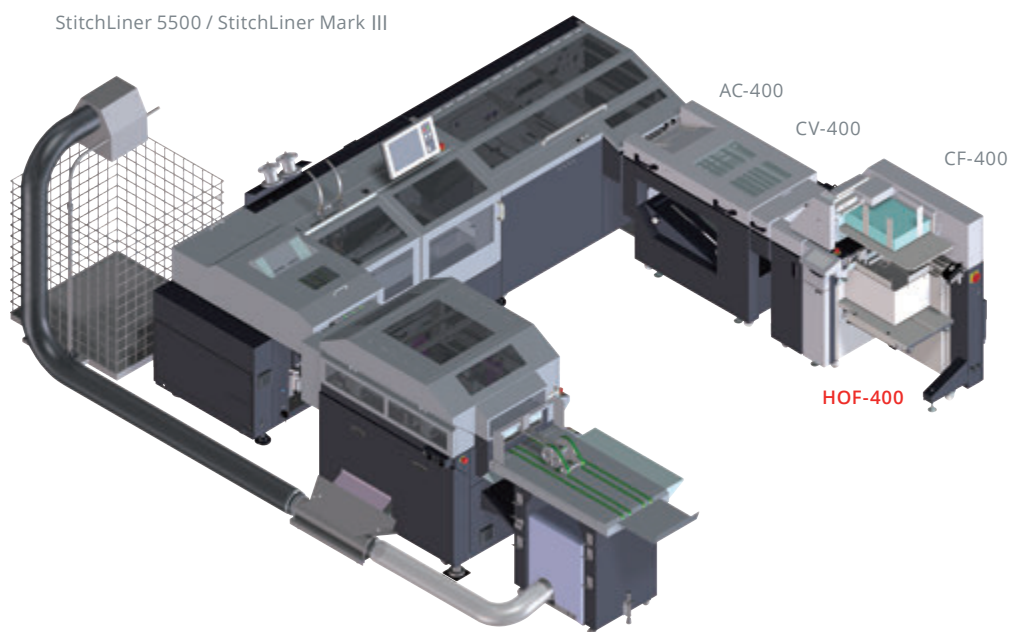
SHEET FLOW IN HOF-400



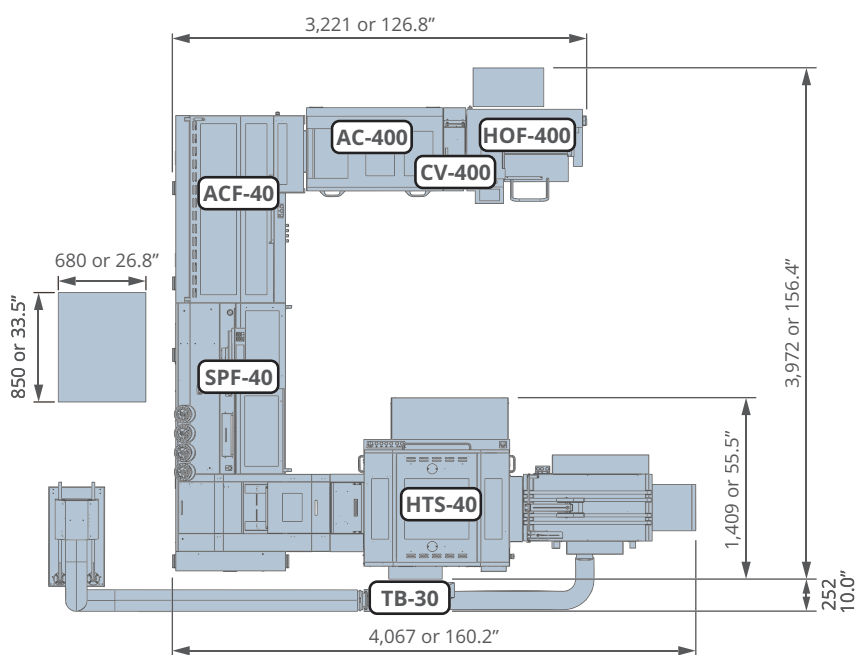


SPECIFICATIONS.

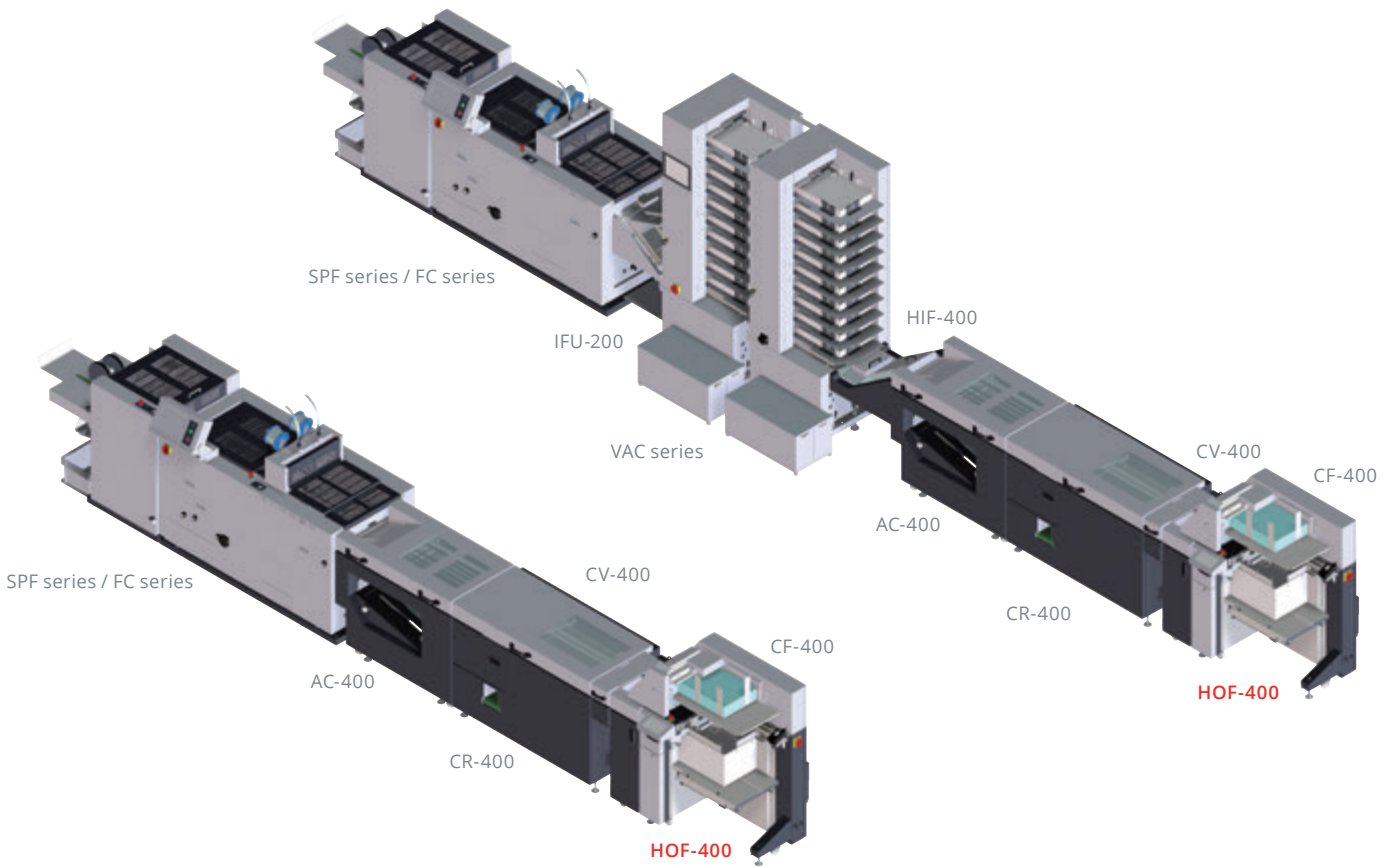
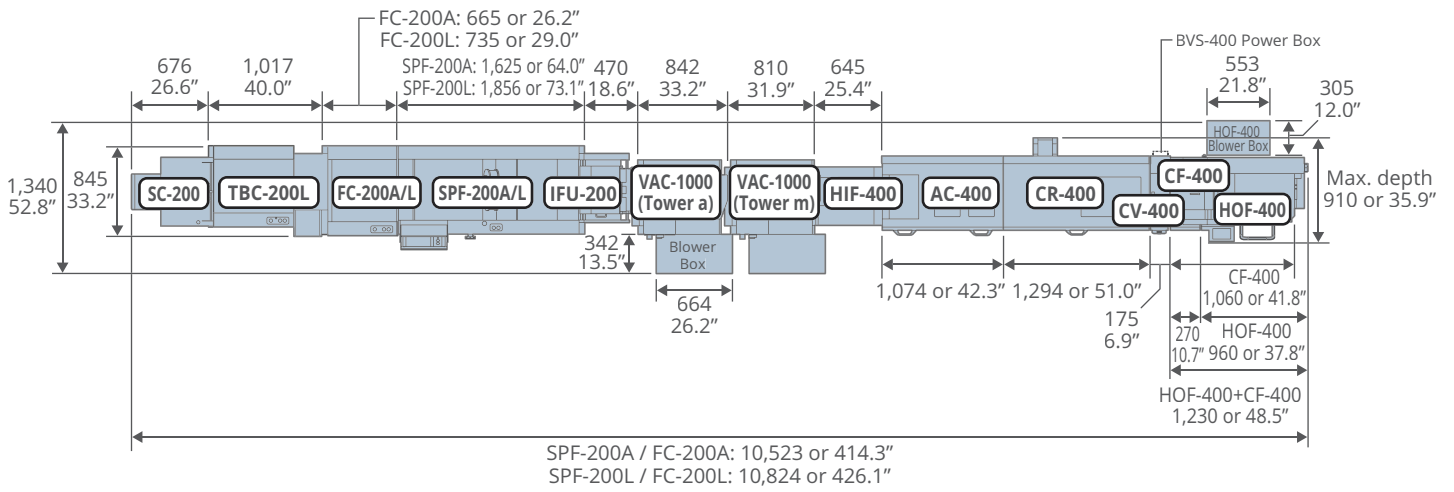
Machine Dimensions. (Unit: mm or inch)



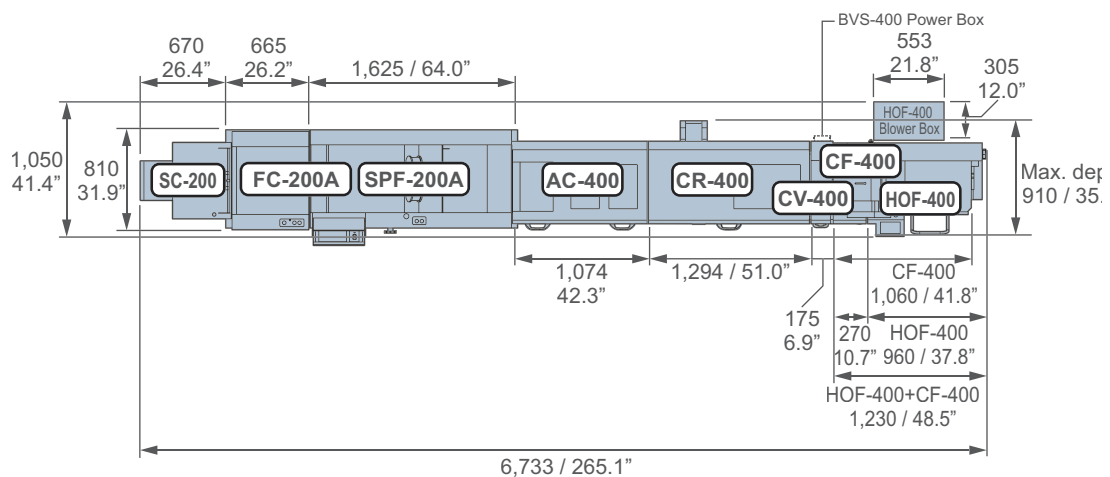
(Top View)



(Top View)

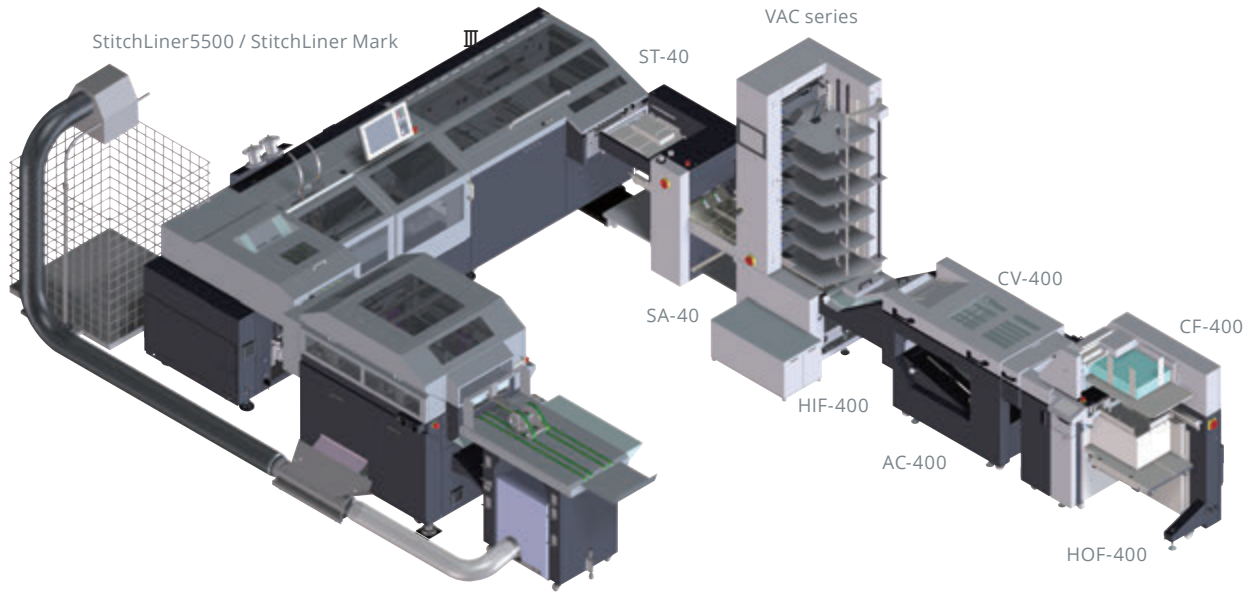


(Top View)

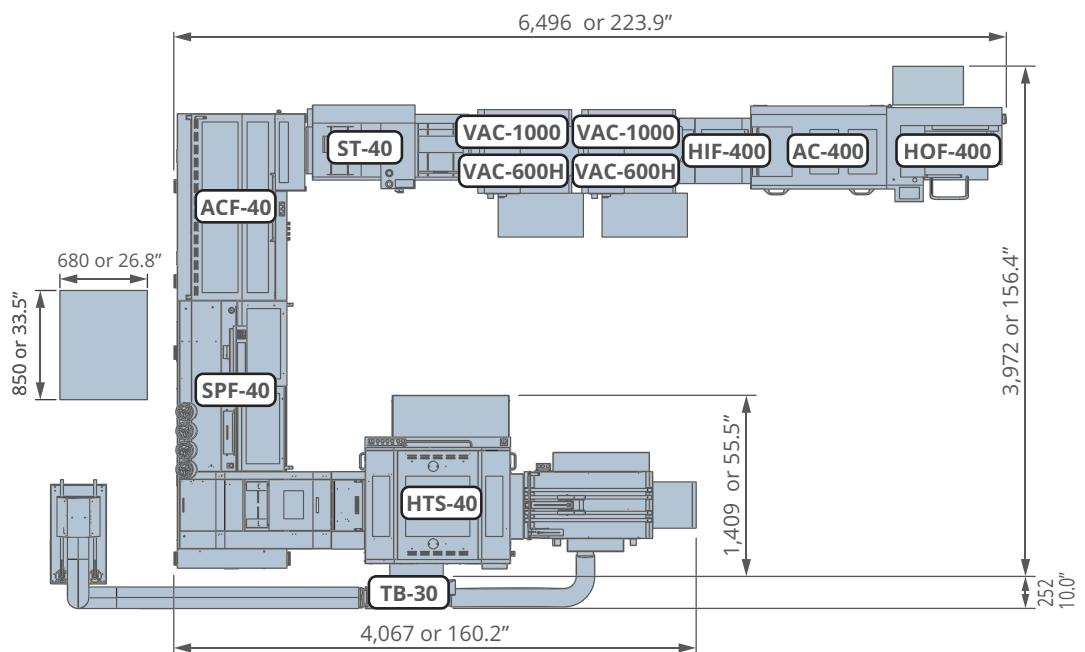


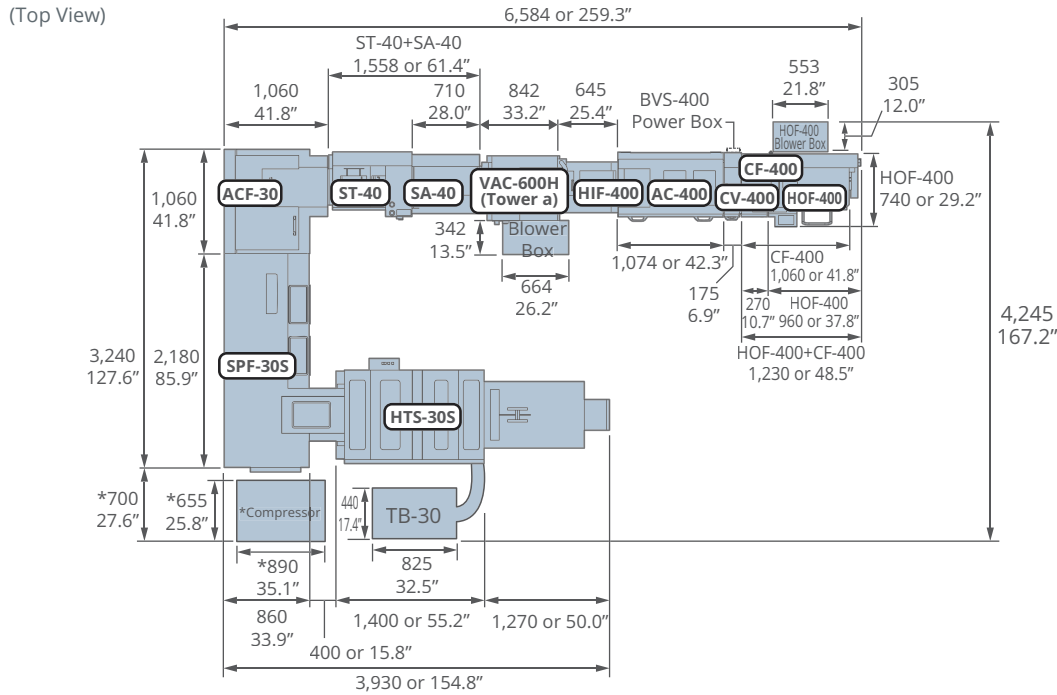
SPECIFICATIONS.

Machine Dimensions. (Unit: mm or inch)



(Top View)





MODEL	HOF-400	CF-400	CR-400	CV-400	AC-400
Sheet Size	Max. 356 x 610 mm or 14.0" x 24.0" Min. 203 x 203 mm or 8.0" x 8.0"	Max. 356 x 610 mm or 14.0" x 24.0" Min. 148 x 203 mm or 6.0" x 8.0"			
Sheet Weight Range	Normal Paper: 52 to 157 gsm Coated Paper: 73 to 157 gsm *When you use thin sheets, you need to decrease the speed depending on the sheet size. *The machine can feed thick sheets (157 through 209 gsm), but the feed speed will decrease.	Normal Paper: 64 to 350 gsm Coated Paper: 79 to 350 gsm *When you use thin sheets, you need to decrease the speed depending on the sheet size.	Normal Paper: 52 to 350 gsm Coated Paper: 73 to 350 gsm		
Sheet Pile Height on Feed Tray	Max. 620 mm or 24.4"	200 mm or 7.8"	-	-	-
Trim Width	-	-	Max. 25.4 mm or 1.00" * Min. 3 mm or 0.12" *When the sheet width is 193 mm or shorter, the trim width also becomes shorter according to the sheet width.	-	-
Finished Sheet Width	-	-	Max. 356 mm or 14.01" Min. 142 mm or 5.59"	-	-
Creasing Mechanism	-	-	One set of rubber roller and punch (positive)	-	-
Production Speed	Max. A3: 25,000 sheets per hour A4 SEF: 35,000 sheets per hour A4 LEF: 45,000 sheets per hour (When the sheets are processed one by one.)	-	When creasing 203 x 203 mm or 8.0" x 8.0": 28,000 sheets per hour A4: 25,000 sheets per hour A3: 17,000 sheets per hour (When the sheets are processed one by one.)	-	Max. A3: 25,000 sheets per hour A4 SEF: 35,000 sheets per hour A4 LEF: 45,000 sheets per hour (When the sheets are processed one by one.)
	4,000 booklets per hour (Without Creasing, 16-page, A4 size booklet) 3,200 booklets per hour (With Creasing, 16-page, A4 size booklet) 5,000 booklets per hour (Without Creasing, 16-page, A5 size booklet) 4,000 booklets per hour (With Creasing, 16-page, A5 size booklet) (The production speed is limited depending on the stitcher.)				
Voltage/Frequency	3-Phase 200 to 220 V, 50 Hz or 60 Hz 3-Phase 380 / 400 / 415 V, 50 Hz or 60 Hz	3-Phase 200 to 220 V, 50 or 60 Hz 3-Phase 380 / 400 / 415 V, 50 Hz or 60 Hz (The power is supplied from the HOF-400.)	Single Phase 200 to 240 V, 50 Hz or 60 Hz	-	Single Phase 200 V, 50 or 60 Hz Single Phase 208 V, 50 or 60 Hz Single Phase 220 V, 50 or 60 Hz (The power is supplied from the HOF-400.)
Machine Dimensions	HOF-400: W 960 x D 740 (1,050 mm or 41.4" including the blower box) x H 936 mm or W 37.8" x D 29.2" x H 36.9" Blower Box: W 553 x D 305 x H 350 mm or W 21.8" x D 12.0" x H 13.8"	Feed Section: W 1,060 x D 640 x H 330 mm or W 41.8" x D 25.2" x H 13.0" Transport Section: W 275 x D 640 x H 910 mm or W 10.9 x D 25.2" x H 35.9"	W 1,294 x D 852 x H 910 mm or W 51.0" x D 33.6" x H 35.9"	W 175 x D 675 x H 440 mm or W 6.9" x D 26.6" x H 17.4"	W 1,074 x D 655 x H 910 mm or W 42.3" x D 25.8" x H 35.9"

MORE AT
HORIZON.CO.JP



Horizon

Horizon International, Inc.

510 Kuze Ooyabu-cho, Minami-ku,
Kyoto, 601-8206, Japan
Phone : +81-75-934-6700
Fax : +81-75-934-6708
www.horizon.co.jp

Horizon GmbH

Pascalstrasse 20
25451 Quickborn / Germany
Phone : +49 4106 8042-0
Fax : +49 4106 8042-199
www.horizon.de